

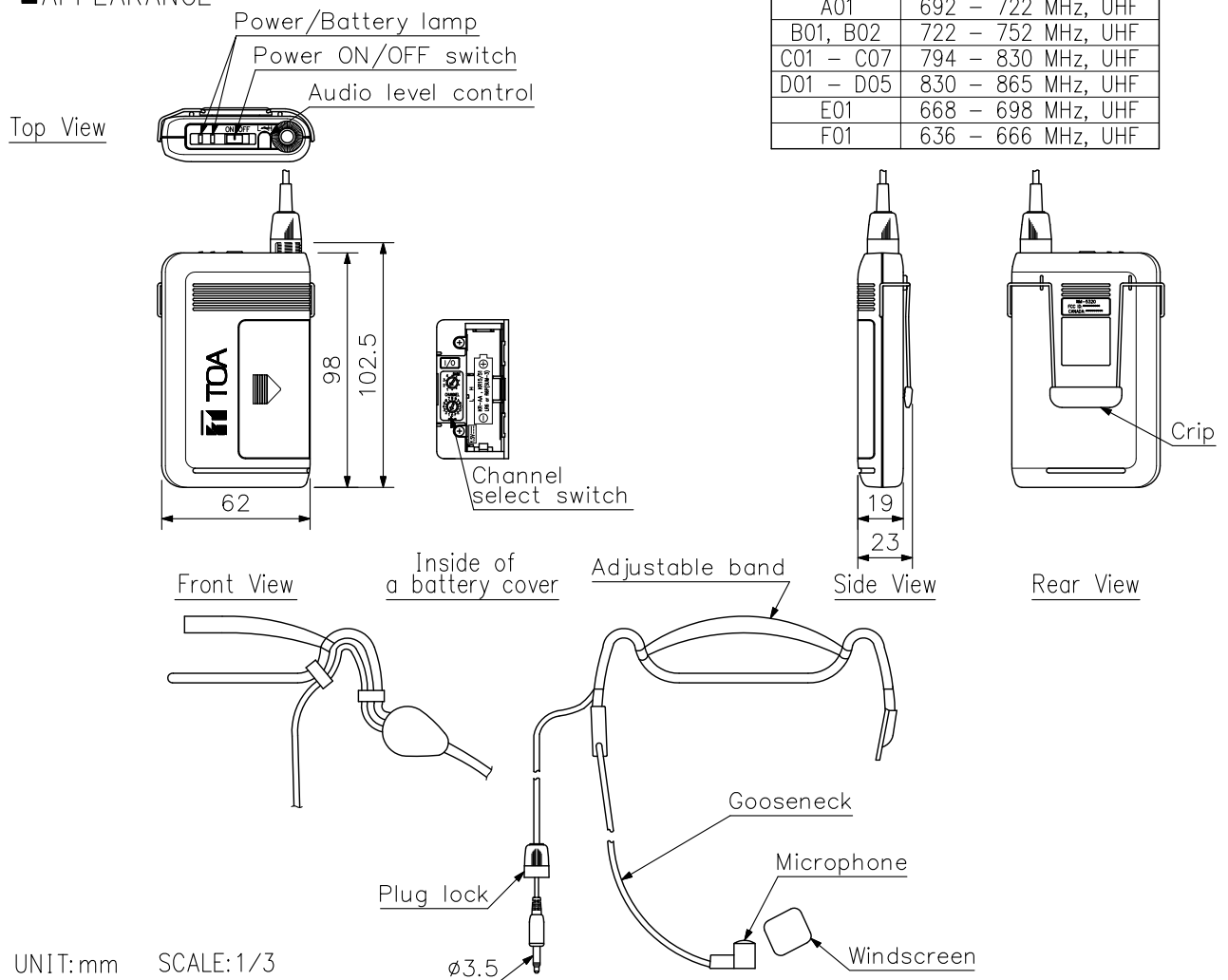
DESCRIPTION

The WM-5320A wireless microphone has been manufactured for use with a UHF system. It incorporates a cardioid pick-up pattern and has been designed for use in speech reinforcement applications. The built-in compressor-expander circuit minimizes the influence from ambient noise. Its gooseneck can be adjusted to any desired angle to facilitate use. The WM-5320A also features the function to protect it from the user's sweat.

SPECIFICATIONS

Case	
Modulation	Frequency modulation
Frequency Range	636 - 865 MHz*, UHF
Channel Selectable	64 channels (the number of channels may differ from country to country)
RF Carrier Power	50 mW or less
Tone Frequency	32.768 kHz
Oscillator	PLL synthesized
Maximum Input Level	120 dB SPL
Maximum Deviation	±40 kHz
Audio Frequency Response	100 Hz - 15 kHz
Battery	LR6 (AA)
Battery Life	10 hours or more (alkaline)
Indicator	Power/Battery lamps
Antenna	Built-in type
Finish	Resin, coating
Dimensions	62 (W) × 102.5 (H) × 23 (D) mm
Weight	90 g (with battery)
Headset	
Microphone Element	Electret condenser microphone, cardioid
Cable Length	1.4 m
Connector	ø3.5 plug (EIAJ RC701)
Accessory	
	Waist pouch.....1, Screw driver.....1

APPEARANCE



Type	Frequency Range
A01	692 - 722 MHz, UHF
B01, B02	722 - 752 MHz, UHF
C01 - C07	794 - 830 MHz, UHF
D01 - D05	830 - 865 MHz, UHF
E01	668 - 698 MHz, UHF
F01	636 - 666 MHz, UHF

UNIT:mm SCALE:1/3